

STUDY GROUP 11 / WORKING PARTY 2

Question: 15 (Q.2931)

SOURCE: Co-Editor (S.Shiraishi, NTT/JAPAN)

TITLE: Draft text for Q.2931: Appendix II (Information Items Required for Connection Establishment in B-ISDN)

Attached is the revised text of Appendix 2 of Q.2931.

Appendix II

0. Scope

This appendix II clarifies information items required for connection establishment in B-ISDN.

1. Information items specified by the calling terminal

1.1 Information items used for B-ISDN specific services

(1) B-BC (broadband bearer capability)

- Bearer Class
- Traffic type (CBR or VBR) <--- only for bearer class X
- Timing requirement (required or not required) <--- only for bearer class X
- Susceptibility to clipping
- Call configuration

(2) ATM traffic descriptor

(3) Quality of service parameter

(4) AAL parameters

(5) End-to-end transit delay

(6) B-LLI (Broadband low layer compatibility information)

(7) B-HLI (Broadband high layer compatibility information)

(8) OAM traffic descriptor

1.2 Emulation of N-ISDN bearer services and interworking with N-ISDN

The calling terminal generally can not identify the type of called terminal (ATM terminal or N-ISDN terminal) at call-setup. Therefore, the same procedure shall apply for both emulation of N-ISDN bearer services between ATM terminals and interworking with N-ISDN (Figure II-1/Q.2931).

The following summarizes the main information items required for emulation of N-ISDN bearer services between ATM terminals and for interworking with N-ISDN.

(1) N-BC (Narrowband bearer capability)

- Information transfer capability (speech, unrestricted digital information, restricted digital information, 3.1kHz audio, unrestricted digital information with tone/announcement, video)
- Transfer mode (circuit, packet, frame)
- Information transfer rate (bit/s)
- User information layer 1 protocol (A-law,)

(2) B-BC (Broadband bearer capability)

- Bearer Class (BCOB-A)
- Susceptibility to clipping (susceptible to clipping)
- Call configuration (point-to-point)

(3) ATM traffic descriptor

The two types of cell rate defined by Recommendation I.371 are included as follows:

(a) Peak cell rate for CLP=0

- Forward cell rate
- Backward cell rate

(b) Peak cell rate for CLP=0 & 1

- Forward cell rate
- Backward cell rate

(4) Quality of service parameter

(5) AAL parameters

(6) End-to-end transit delay

(7) N-LLC (Narrowband low layer compatibility)

(8) N-HLC (Narrowband high layer compatibility)

(9) OAM traffic descriptor

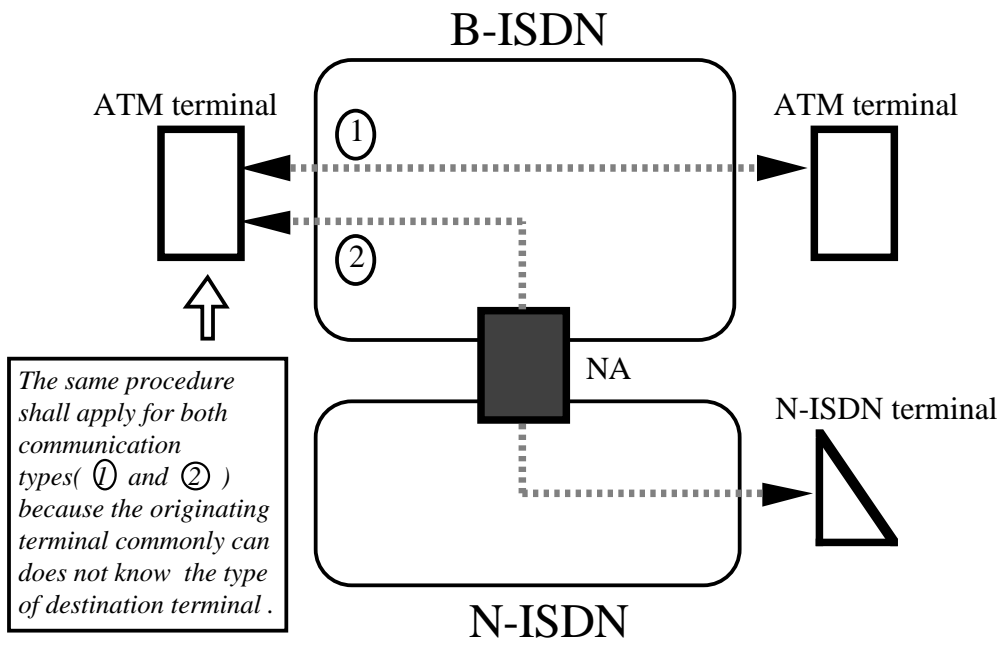


Fig II-1/Q.2931 Two communication types for emulation of N-ISDN bearer services in B-ISDN
