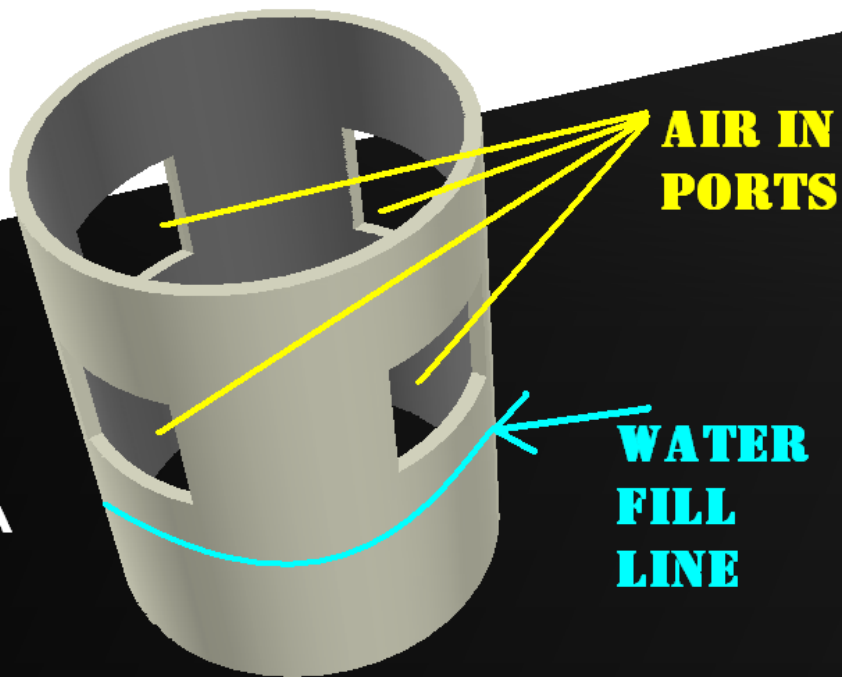


COPYCAT BUCKET AIR COOLER

**Simple Easy
Cooler Made
From An Old
Bucket And A
Oven Fan!**



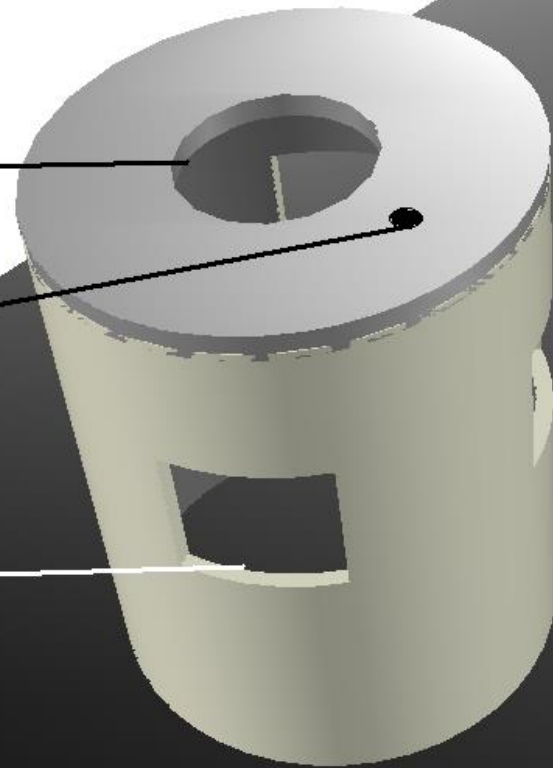
Things you will need to find:

- **Paint bucket with lid and or pouring hole**
- **Standard Power outlet with power box**
- **Over the range oven hood fan with plug**
- **60-80 gpm small garden fountain pump**
- **Epoxy or silicone or anything to patch a hole**
- **Swamp Cooler Pad (anykind) or new type**
- **Tools to get the job done, hacksaw, screwdriver, glue, and a couple screws**

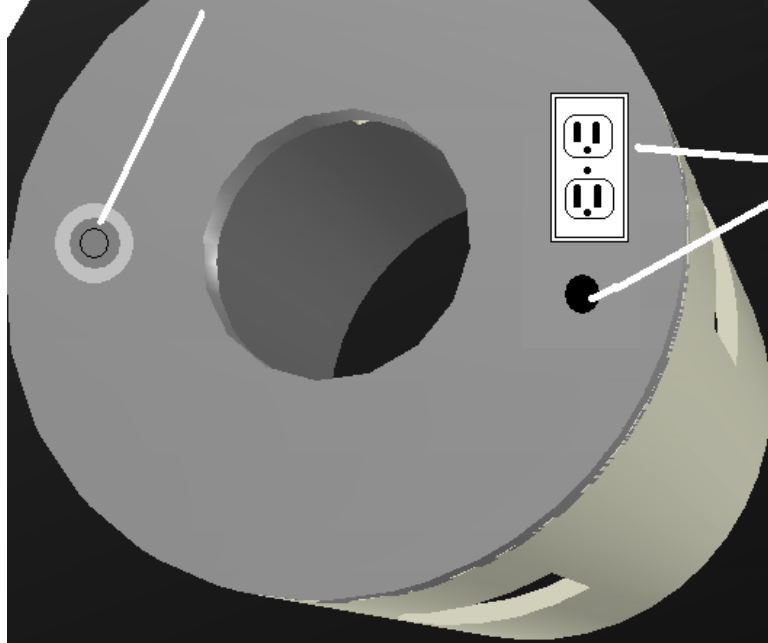
CopyCat Bucket
Air Cooler

cut hole for
"over range"
oven fan then
cut hole for
fan and pump
plugs

cut holes
for air-in
ports (4)
8x4" inch each

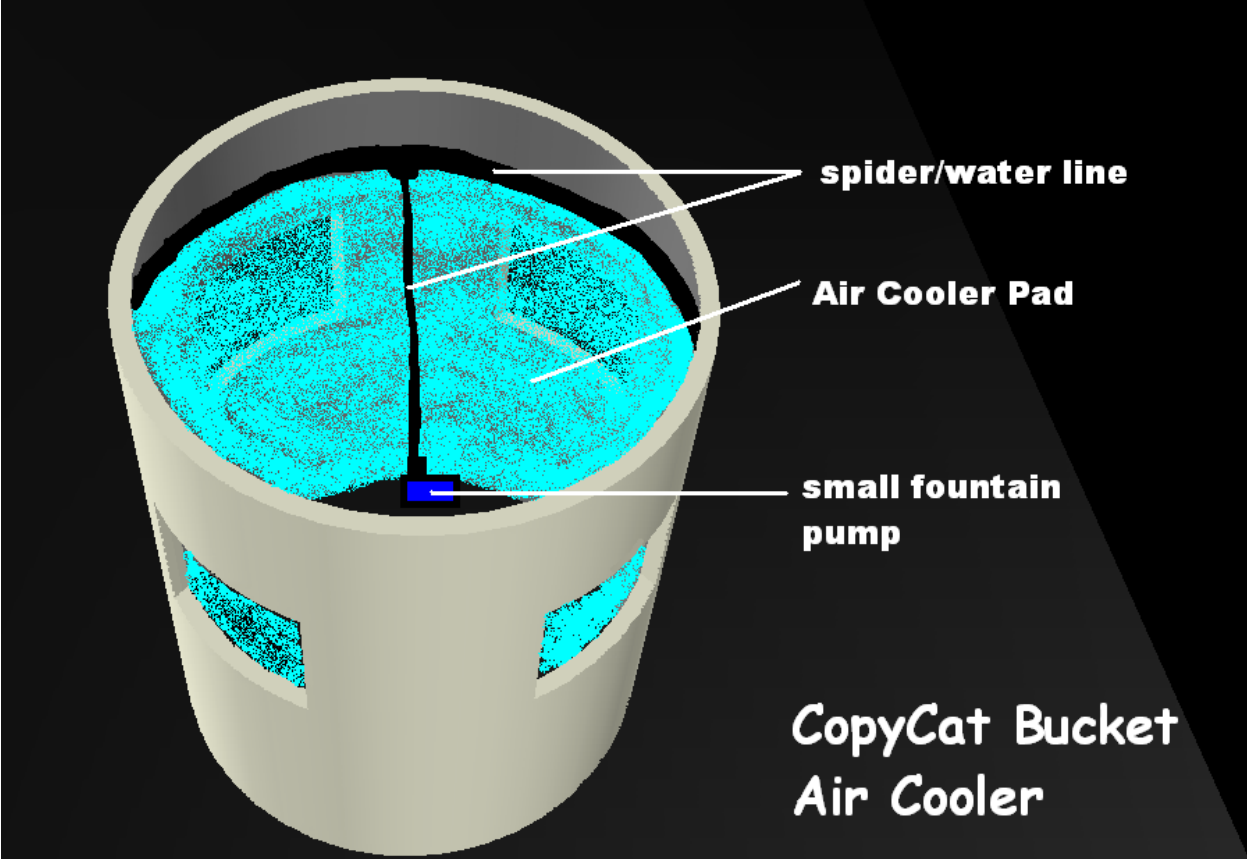


use the pouring hole
to refill unit

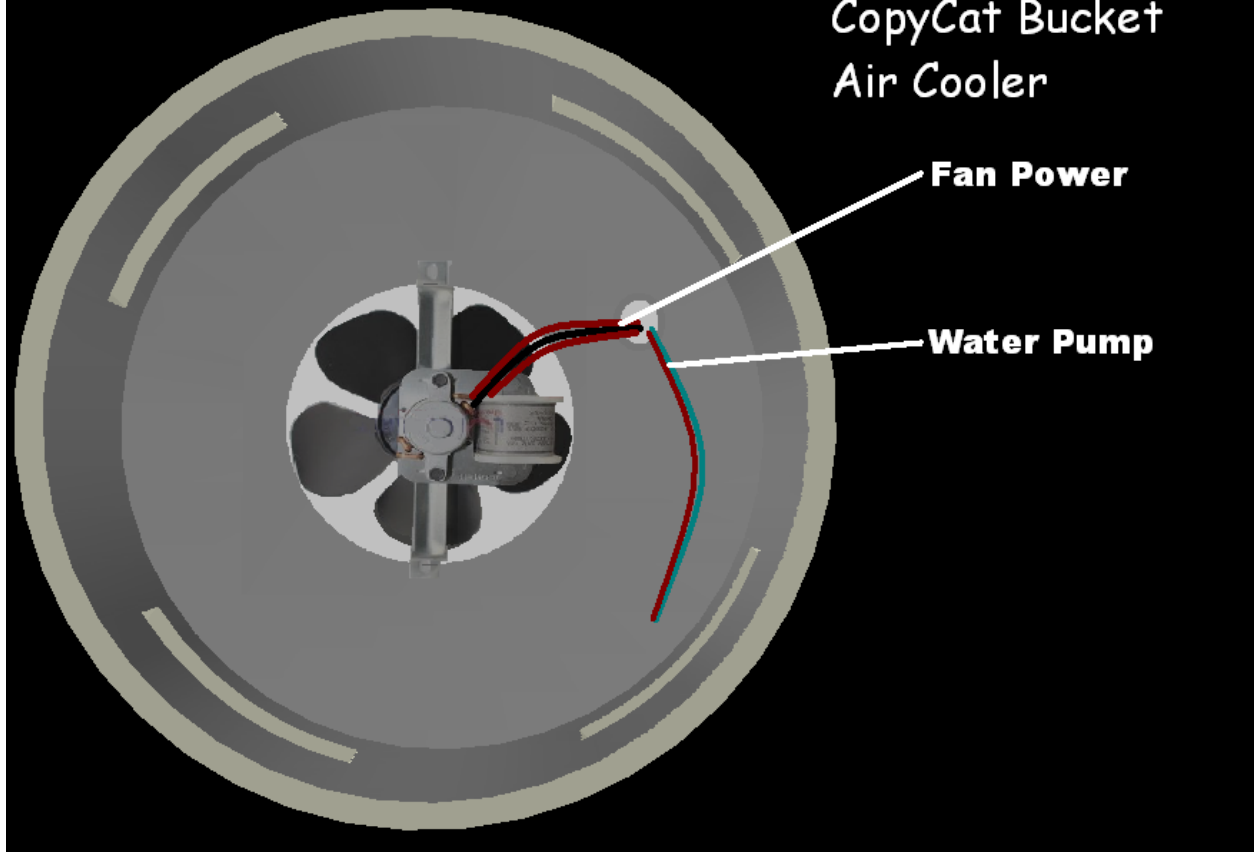


CopyCat Bucket Air Cooler

place power
outlet on top,
then seal the
hole after you
pull the plugs
through



CopyCat Bucket Air Cooler







CopyCat Bucket Air Cooler – 2018

http://the_copycat.tripod.com