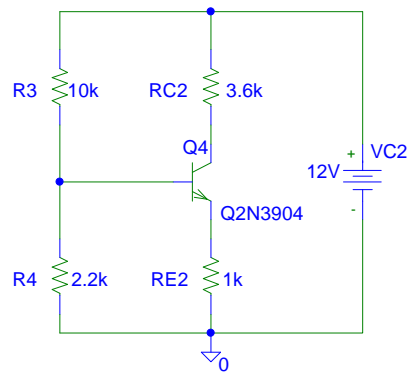
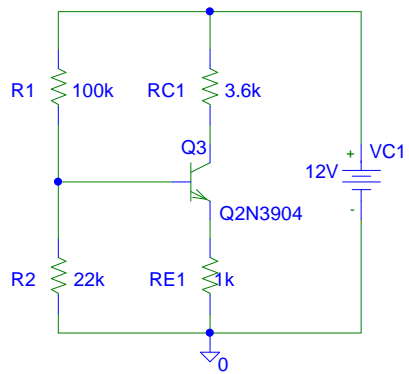
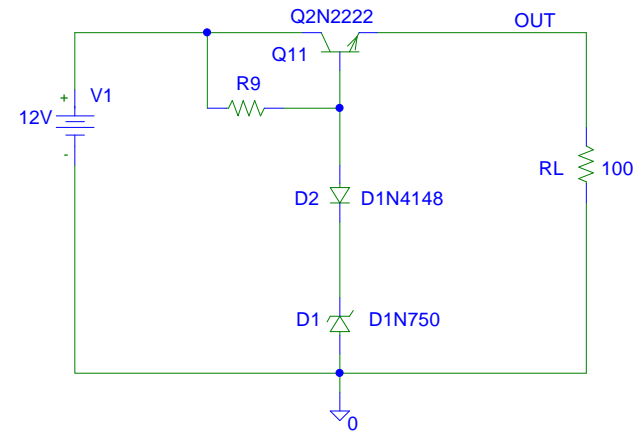


Homework 007



1. $V_{CE} = 2V$, $V_{BE} = 0.7V$, $V_{RE} = 1V$, $V_{RC} = 1V$, AC Coupling $V_{AC} = 1V$, $V_{CE} = 1V$, $V_{BE} = 0.7V$, $V_{RE} = 1V$, $V_{RC} = 1V$?
2. $V_{CE} = 1V$, $V_{BE} = 0.7V$, $V_{RE} = 1V$, $V_{RC} = 1V$?
3. AC Coupling $V_{AC} = 1V$, $V_{CE} = 1V$, $V_{BE} = 0.7V$, $V_{RE} = 1V$, $V_{RC} = 1V$ (-3dB), $V_{CE} = 1V$, $V_{BE} = 0.7V$, $V_{RE} = 1V$, $V_{RC} = 1V$ (By Simulation)?



1. $V_{CE} = 1V$, $V_{BE} = 0.7V$, $V_{RE} = 1V$, $V_{RC} = 1V$, $V_{OUT} = 4.7V$, $V_{BE} = 0.7V$, $V_{RE} = 1V$, $V_{RC} = 1V$?
2. $V_{CE} = 1V$, $V_{BE} = 0.7V$, $V_{RE} = 1V$, $V_{RC} = 1V$, $V_{OUT} = 4.7V$, $V_{BE} = 0.7V$, $V_{RE} = 1V$, $V_{RC} = 1V$?