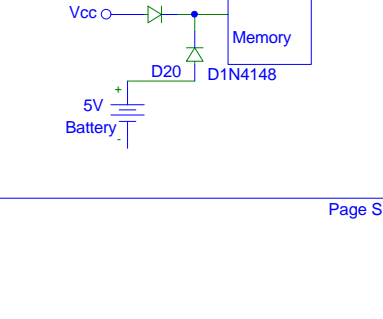
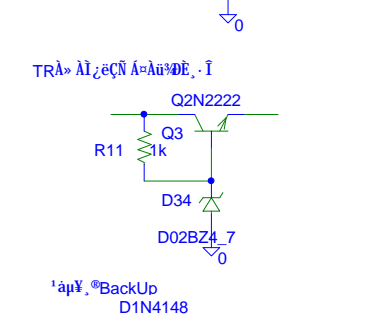
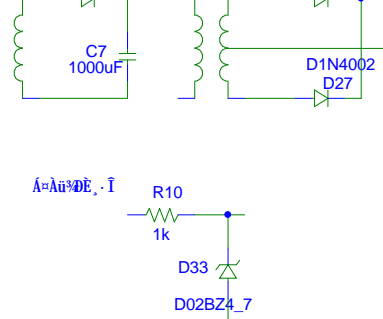
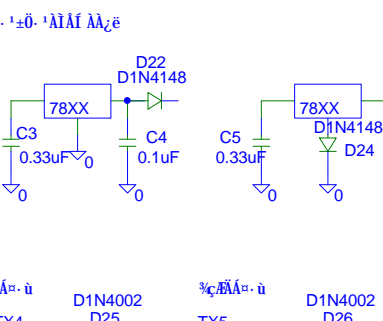
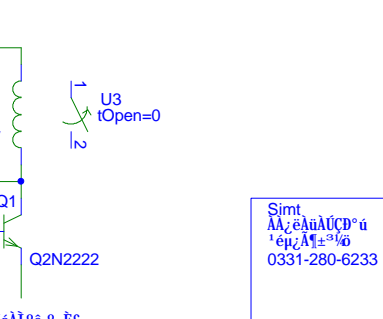
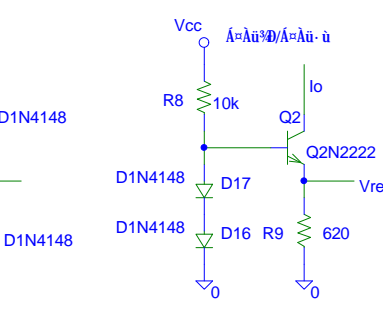
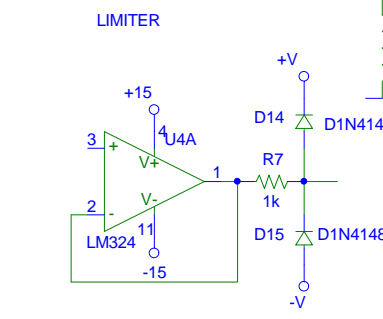
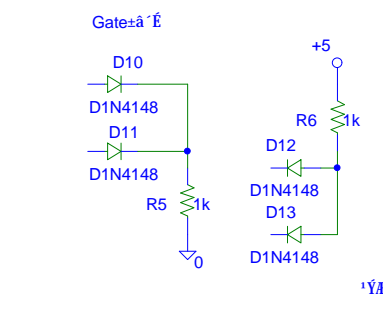
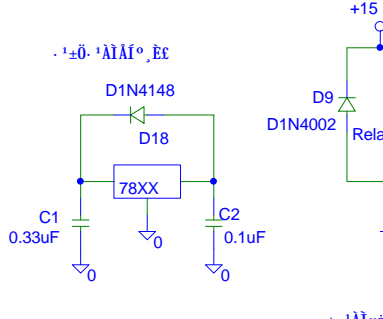
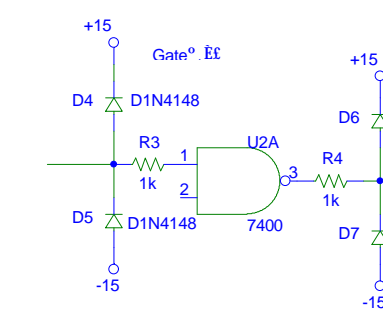
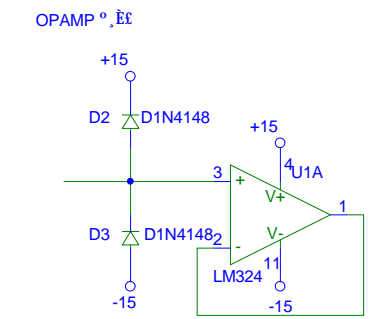
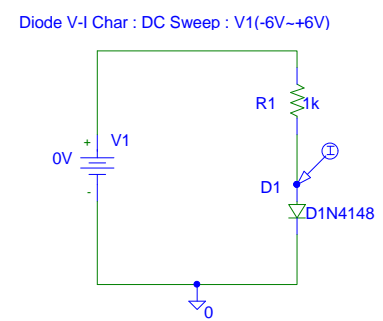


1. Diode I-V Char: DC Sweep: V1(-6V--+6V)
  - 1) Diode I-V Char: DC Sweep: V1(-6V--+6V)
  - 2) Diode I-V Char: DC Sweep: V1(-6V--+6V)
  - 3) Diode I-V Char: DC Sweep: V1(-6V--+6V)
  - 4) Diode I-V Char: DC Sweep: V1(-6V--+6V)
  - 5) Diode I-V Char: DC Sweep: V1(-6V--+6V)
  - 6) Diode I-V Char: DC Sweep: V1(-6V--+6V)
  - 7) Diode I-V Char: DC Sweep: V1(-6V--+6V)
2. Diode BreakDown
  - 1) Diode BreakDown
  - 2) Diode BreakDown
  - 3) Diode BreakDown
3. Diode Turn ON
  - 1) Diode Turn ON
  - 2) Diode Turn ON
  - 3) Diode Turn ON
  - 4) Diode Turn ON
4. Gate: AND, OR, NAND, NOR
  - 1) Gate: AND
  - 2) Gate: OR
  - 3) Gate: NAND
  - 4) Gate: NOR
5. Limiter
  - 1) Limiter
  - 2) Limiter
6. Diode I-V Char: DC Sweep: V1(-6V--+6V)
  - 1) Diode I-V Char: DC Sweep: V1(-6V--+6V)
  - 2) Diode I-V Char: DC Sweep: V1(-6V--+6V)
  - 3) Diode I-V Char: DC Sweep: V1(-6V--+6V)
  - 4) Diode I-V Char: DC Sweep: V1(-6V--+6V)
7. Diode Back-Up
  - 1) Diode Back-Up
  - 2) Diode Back-Up
8. Diode I-V Char: DC Sweep: V1(-6V--+6V)
  - 1) Diode I-V Char: DC Sweep: V1(-6V--+6V)
  - 2) Diode I-V Char: DC Sweep: V1(-6V--+6V)
  - 3) Diode I-V Char: DC Sweep: V1(-6V--+6V)
  - 4) Diode I-V Char: DC Sweep: V1(-6V--+6V)
9. Diode I-V Char: DC Sweep: V1(-6V--+6V)
  - 1) Diode I-V Char: DC Sweep: V1(-6V--+6V)
  - 2) Diode I-V Char: DC Sweep: V1(-6V--+6V)
10. Diode I-V Char: DC Sweep: V1(-6V--+6V)
  - 1) Diode I-V Char: DC Sweep: V1(-6V--+6V)
  - 2) Diode I-V Char: DC Sweep: V1(-6V--+6V)
  - 3) Diode I-V Char: DC Sweep: V1(-6V--+6V)
11. Diode I-V Char: DC Sweep: V1(-6V--+6V)
  - 1) Diode I-V Char: DC Sweep: V1(-6V--+6V)



Simt  
 AAZ e AUUCD u  
 em A J e 3/6  
 0331-280-6233